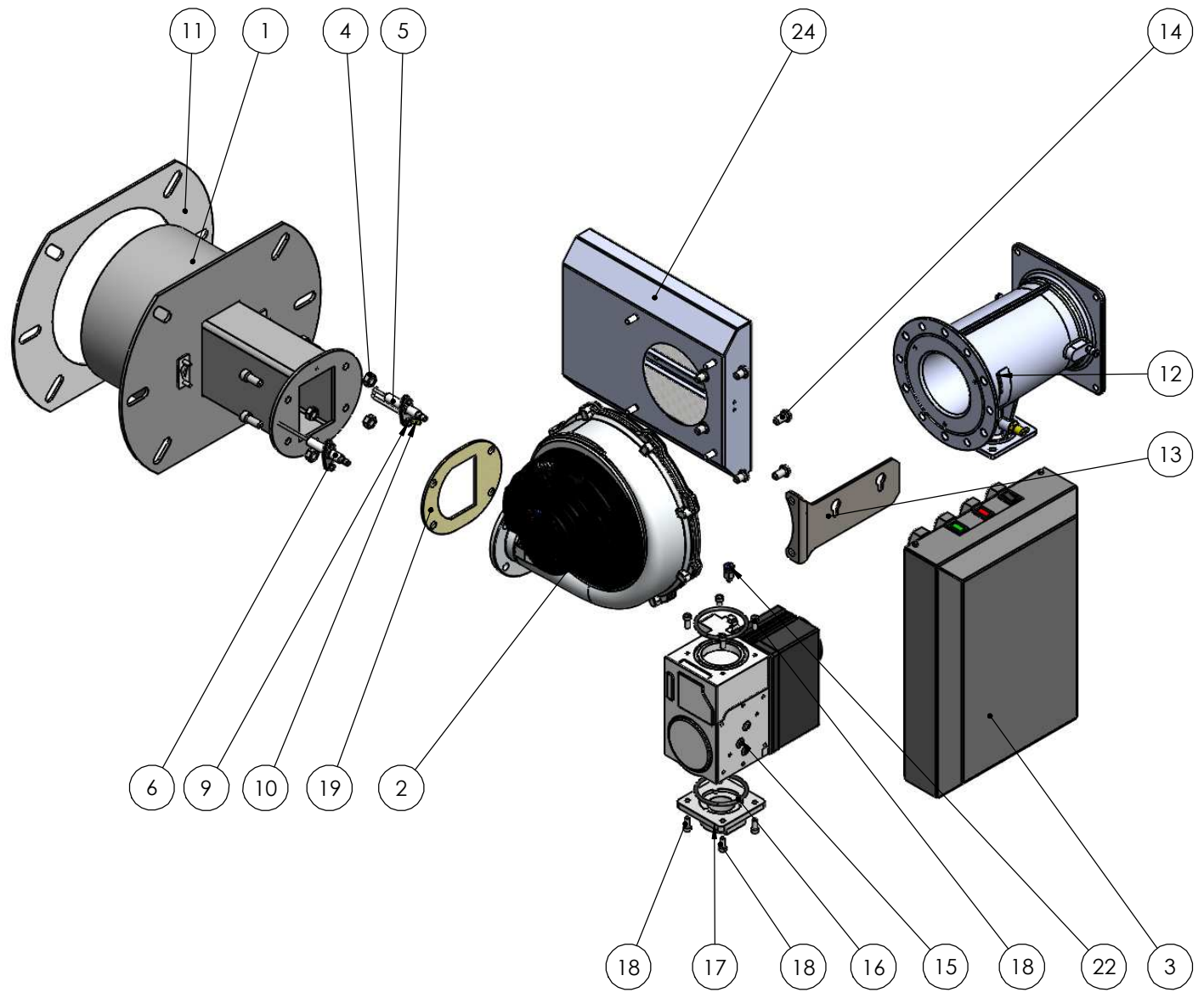


91415 3 A3
A
B
C
D




	PART NUMBER	DESCRIPTION	Default/ QTY.
1	51861	Burner Head - Inverterjet Ultra 150	1
2	20053	Fan Fasco GPM 6.9	1
3	92239	Burner Management Unit MK6	1
4	62008	M8 NUT	4
5	41078	Ignition Electrode-Double Wire-30	1
6	42011	IONISATION PROBE - 30	1
7	63404	WASHER - M4 - SPRING	4
8	88073	GASKET - ELECTRODE	2
9	62004	M4 HEX NUT	4
10	09016	EARTH TAB	1
11	88130	Burner Mounting Gasket - Inverterjet PW 300M	1
12	60035	Venturi Mixing Unit - VMU185A1009	1
13	78054	Bracket 300 - Burner Management Unit	1
14	61133	M8 x 16 Hex Socket Button Screw -S/S	2
15	03058	GAS VALVE VR415VA5010-0000	1
15	03058	GAS VALVE VR415VA5010-0000	-
16	89004	"O"- RING - VR GAS VALVE 53mm ID x 59mm OD	2
17	68010	Honeywell 1" Flange - Kit Comb 25	1
18	61020	SCREW - M5 x 12 - SOCKET CAP	8
19	88134	Gasket - Fasco 6.9	1
20	61134	M8 x 12 Hex Socket Button Screw -S/S	4
21	61042	SCREW - M8 X 20 - SOCKET CAP	4
22	65014	4mm Push Hose Fitting Nipple	1
23	92229	Pilot Gas Train - Inverterjet Ultra Series	-
24	92243	Filter	1

A	FIRST ISSUE	T.S.	25/01/22	
ISSUE	MODIFICATION	APPR	DATE	

FINISH:		MATERIAL:	
CHK'D			
APPR			
	NAME	SIGNATURE	DATE

Burnertech Combustion Engineers Ltd
Unit C Lostock Industrial Estate, Lostock Lane, BL6 4BL
Tel: +44 (0) 1204 393222
Fax: +44 (0) 1204 394222
E-mail: info@burnertech.co.uk



DO NOT SCALE DRAWING

TITLE: INVERTERJET ULTRA 150			
CUSTOMER REF:			
DIMENSIONS ARE IN MILLIMETERS DEBURR AND BREAK SHARP EDGES		UNLESS OTHERWISE SPECIFIED: TOLERANCES: LINEAR: ±0.5 ANGULAR: ± 0.5	
DRAWN BY: M.A.		DATE: 14.12.21	
SCALE: 1:5	THIRD ANGLE PROJECTION	IF IN DOUBT ASK	
		DWG NO. 91415	3
		SHEET 1 OF 3	A3

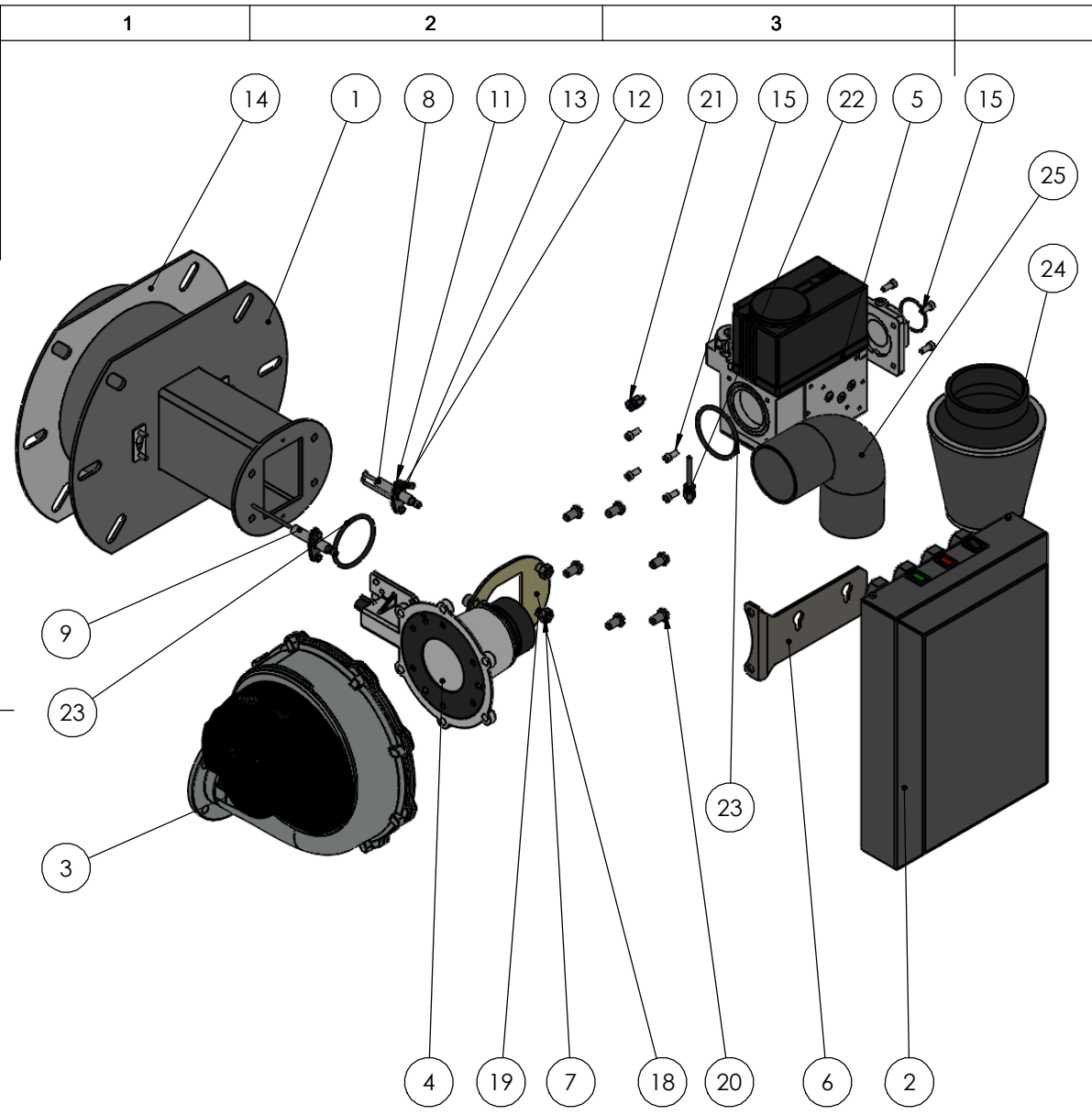
A3
91413

A

B

C

D



ITEM NO.	PART NUMBER	DESCRIPTION	Default/QTY.
1	51850	Burner Head - Inverterjet Ultra 120-150	1
2	92239	Burner Management Unit MK6	1
3	20053	Fan Fasco GPM 6.9	1
4	60049	Venturi (VMS) 45900450P-020	1
5	03058	GAS VALVE VR415VA5010-0000	1
6	78054	Bracket 300 - Burner Management Unit	1
7	62008	M8 NUT	4
8	41078	Ignition Electrode-Double Wire-30	1
9	42011	IONISATION PROBE - 30	1
10	63404	WASHER - M4 - SPRING	4
11	88073	GASKET - ELECTRODE	2
12	62004	M4 HEX NUT	4
13	09016	EARTH TAB	1
14	88130	Burner Mounting Gasket - Inverterjet PW 300M	1
15	61020	SCREW - M5 x 12 - SOCKET CAP	8
16	68010	Honeywell 1" Flange - Kit Comb 25	1
17	89008	Vulcan Gas Valve 'O' Ring 33mm I/D x 37mm O/D	1
18	88134	Gasket - Fasco 6.9	1
19	61042	SCREW - M8 X 20 - SOCKET CAP	4
20	61133	M8 x 16 Hex Socket Button Screw -S/S	6
21	65014	4mm Push Hose Fitting Nipple	1
22	93090	Kit - Filter - Inverterjet PW 120	1
23	89004	"O"- RING - VR GAS VALVE 53mm ID x 59mm OD	2
24	74010	Air Filter - Inverterjet PW 90M	1
25	82006		1


ISSUE	MODIFICATION	APPR	DATE
1	FIRST ISSUE		

FINISH:		MATERIAL:	
CHK'D			
APPR			
	NAME	SIGNATURE	DATE

Burnertech Combustion Engineers Ltd

Unit C Lostock Industrial Estate, Lostock Lane, BL6 4BL
 Tel: +44 (0) 1204 393222
 Fax: +44 (0) 1204 394222

E-mail: enquiries@burnertech.co.uk



TITLE: INVERTERJET ULTRA 120

CUSTOMER REF:

DIMENSIONS ARE IN MILLIMETERS
 DEBURR AND BREAK SHARP EDGES

UNLESS OTHERWISE SPECIFIED:
 TOLERANCES:
 LINEAR:
 ANGULAR:

DWG NO. 91413 3

DRAWN BY: M.A. **DATE: 14.12.21**

SCALE: 1:5 **THIRD ANGLE PROJECTION** **IF IN DOUBT ASK** **SHEET 1 OF 4** **A3**

DO NOT SCALE DRAWING